

JVC

SERVICE MANUAL

COLOUR TELEVISION

**AV28BH7ENS, AV28BH7ENB
AV28BH7EPS, AV28BH7EPB
AV28BH7EES, AV28BH7EEB**

Supplementary

The updated version of the parts list attached to the SERVICE MANUAL (No.51967, Apr. 2002) for the AV28BH7ENS, AV28BH7ENB, AV28BH7EPS, AV28BH7EPB, AV28BH7EES and AV28BH7EEB has been issued.

Except for the parts list, please refer to the original SERVICE MANUAL (No.51967, Apr. 2002) for the AV28BH7ENS, AV28BH7ENB, AV28BH7EPS, AV28BH7EPB, AV28BH7EES and AV28BH7EEB.

PARTS LIST

CONTENTS

- USING P.W. BOARD & REMOTE CONTROL UNIT 2
- EXPLODED VIEW PARTS LIST 3
- EXPLODED VIEW 4
- PRINTED WIRING BOARD PARTS LIST

[AV28BH7ENS , AV28BH7ENB]

- MAIN P.W. BOARD ASS'Y 5
- MULTI SOUND P.W. BOARD ASS'Y 8
- FEATURE BOX P.W. BOARD ASS'Y 9
- CRT SOCKET P.W. BOARD ASS'Y 11
- FRONT CONTROL P.W. BOARD ASS'Y 12
- FRONT AV + HEADPHONE JACK P.W. BOARD ASS'Y 12

[AV28BH7EPS , AV28BH7EPB]

- MAIN P.W. BOARD ASS'Y 13

[AV28BH7EES , AV28BH7EEB]

- MAIN P.W. BOARD ASS'Y 17

- PACKING / PACKING PARTS LIST 21

USING PW BOARD & REMOTE CONTROL UNIT

Model PWB ASS'Y	AV28BH7ENS AV28BH7ENB	AV28BH7EPS AV28BH7EPB	AV28BH7EES AV28BH7EEB
MAIN PWB	VE-20105613	VE-20105616	VE-20105600
MULTI SOUND PWB	VE-20085395	←	←
FEATURE BOX PWB	VE-20055386	←	←
CRT SOCKET PWB	VE-20086295	←	←
FRONT CONTROL PWB	VE-20082481	←	←
FRONT AV + HEADPHONE JACK PWB	VE-20083091	←	←
REMOTE CONTROL UNIT	VE-30015781 (RM-C85)	←	←

EXPLODED VIEW PARTS LIST

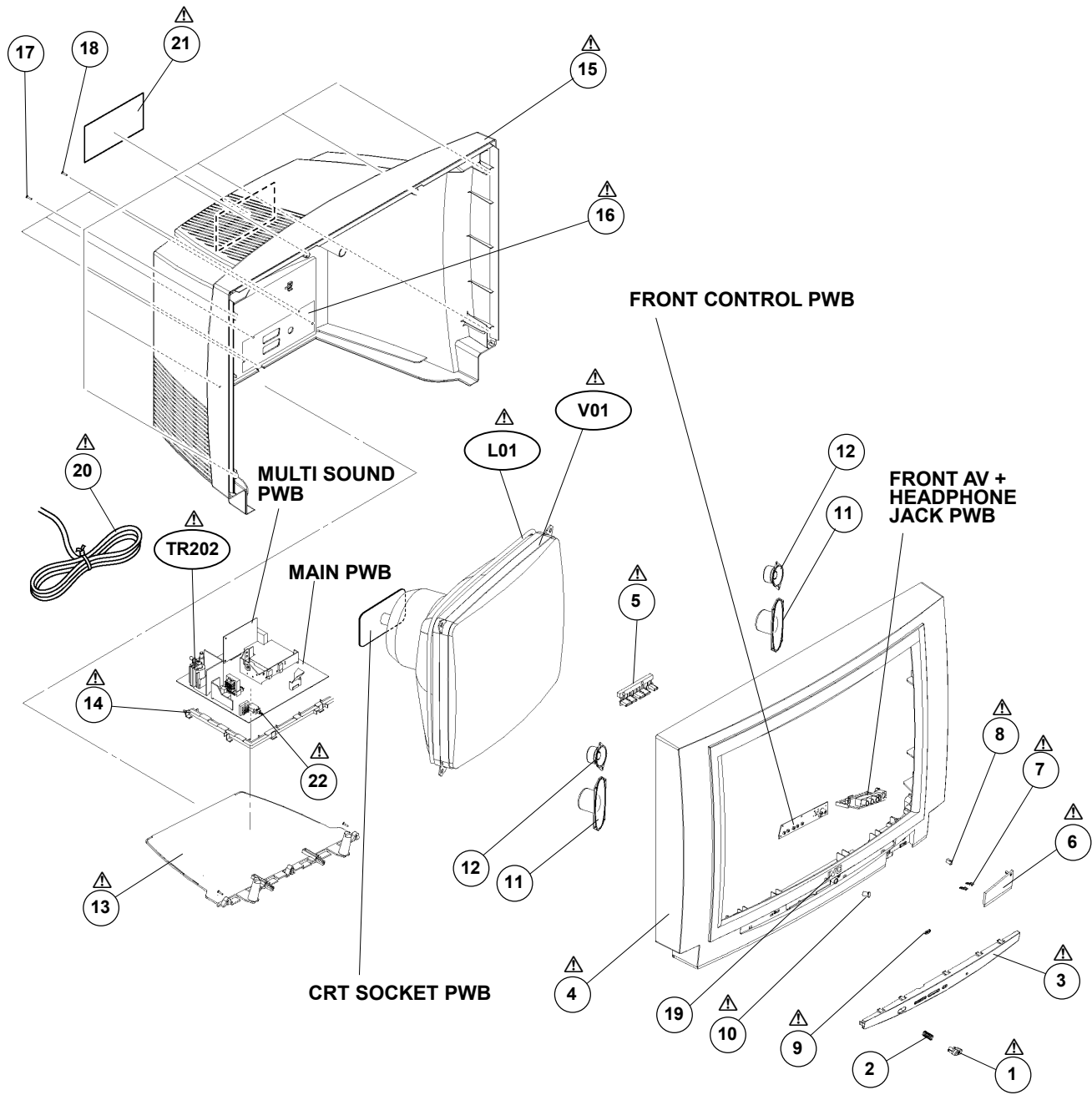
[Silver model : AV28BH7ENS, AV28BH7EPS, AV28BH7EES]

△ Ref.No.	Part No.	Part Name	Description
△ V01	VE-30002754	PICTURE TUBE(ITC)	Included DY, PC magnet
△ L01	VE-30002728	DEG.COIL & EARTH	
△ TR202	VE-30016922	FBT TRANSF.	Within MAIN PWB
△ 1	VE-20083491	BUTTON(ON/OFF SW)	POWER
△ 2	VE-35004544	SPRING(ON/OFF SW)	
△ 3	VE-20069218	LENS	
△ 4	VE-20082289	FRONT CABINET	
△ 5	VE-20083502	BUTTON FUNCTION	CH, VOL
△ 6	VE-20086219	FRONT AV DOOR	
△ 7	VE-20003605	PIN(FRONT AV DOOR)	(X2)
△ 8	VE-40000026	EJECTOR	
△ 9	VE-20078776	LENS LED	
△ 10	VE-20004339	LENS PRE-AMP	
△ 11	VE-30001946	SPEAKER(57x160mm)	(X2)
△ 12	VE-30001947	TWEETER(CLOSED)	(X2)
△ 13	VE-20081578	BASE	
△ 14	VE-20069012	CHASSIS FRAME	
△ 15	VE-20104969	BACK COVER	
△ 16	VE-20087523	BACK DOOR	
△ 17	VE-35004572	SCREW	(X8)
△ 18	VE-35000211	SCREW	(X4)
△ 19	VE-40009154	LOGO JVC	
△ 20	VE-30016513	POWER CORD	
△ 21	VE-20086449	LABEL	[AV28BH7ENS]
△ 21	VE-20086452	LABEL	[AV28BH7EPS]
△ 21	VE-20086455	LABEL	[AV28BH7EES]
△ 22	VE-30002174	ON/OFF SWITCH	

[Black model : AV28BT7ENB, AV28BT7EPB, AV28BT7EEB]

△ Ref.No.	Part No.	Part Name	Description
△ V01	VE-30002754	PICTURE TUBE(ITC)	Included DY, PC magnet
△ L01	VE-30002728	DEG.COIL & EARTH	
△ TR202	VE-30016922	FBT TRANSF.	Within MAIN PWB
△ 1	VE-20069016	BUTTON(ON/OFF SW)	POWER
△ 2	VE-35004544	SPRING(ON/OFF SW)	
△ 3	VE-20069218	LENS	
△ 4	VE-20081489	FRONT CABINET	
△ 5	VE-20069014	BUTTON FUNCTION	CH, VOL
△ 6	VE-20086314	FRONT AV DOOR	
△ 7	VE-20003605	PIN(FRONT AV DOOR)	(X2)
△ 8	VE-40000026	EJECTOR	
△ 9	VE-20078776	LENS LED	
△ 10	VE-20004339	LENS PRE-AMP	
△ 11	VE-30001946	SPEAKER(57x160mm)	(X2)
△ 12	VE-30001947	TWEETER(CLOSED)	(X2)
△ 13	VE-20081578	BASE	
△ 14	VE-20069012	CHASSIS FRAME	
△ 15	VE-20069018	BACK COVER	
△ 16	VE-20040684	BACK DOOR	
△ 17	VE-35004572	SCREW	(X8)
△ 18	VE-35000211	SCREW	(X4)
△ 19	VE-40009152	LOGO JVC	
△ 20	VE-30016513	POWER CORD	
△ 21	VE-20086400	LABEL	[AV28BH7ENB]
△ 21	VE-20086443	LABEL	[AV28BH7EPB]
△ 21	VE-20086446	LABEL	[AV28BH7EEB]
△ 22	VE-30002174	ON/OFF SWITCH	

EXPLODED VIEW



[AV28BH7ENS , AV28BH7ENB]

Symbol No.	Part No.	Part Name	Description
CAPACITOR			
C541	VE-30000284	SMD CAP.	1NF 50V K R
C542	VE-30000263	SMD CAP.	56PF 50V J CH
C543	VE-30000294	SMD CAP.	100NF 50V K
C544	VE-30000294	SMD CAP.	100NF 50V K
C545	VE-30000284	SMD CAP.	1NF 50V K R
C546	VE-30000284	SMD CAP.	1NF 50V K R
C547	VE-30000284	SMD CAP.	1NF 50V K R
C548	VE-30000284	SMD CAP.	1NF 50V K R
C549	VE-30000294	SMD CAP.	100NF 50V K
C550	VE-30000294	SMD CAP.	100NF 50V K
C551	VE-30000407	EL CAP.	470UF 16V M
C552	VE-30000407	EL CAP.	470UF 16V M
C553	VE-30000204	SMD CAP.	150PF 50V J
C554	VE-30000204	SMD CAP.	150PF 50V J
C556	VE-30000352	EL CAP.	100UF 16V M
C557	VE-30000332	SMD CAP.	4.7NF 50V K
C558	VE-30000332	SMD CAP.	4.7NF 50V K
C560	VE-30000074	MKT CAP.	100NF 63V J
C561	VE-30000247	SMD CAP.	39PF 50V J
C562	VE-30000247	SMD CAP.	39PF 50V J
C563	VE-30000294	SMD CAP.	100NF 50V K
C564	VE-30000332	SMD CAP.	4.7NF 50V K
C565	VE-30000332	SMD CAP.	4.7NF 50V K
C566	VE-30000109	MKT CAP.	470NF 63V J
C567	VE-30000109	MKT CAP.	470NF 63V J
C569	VE-30000109	MKT CAP.	470NF 63V J
C576	VE-30000109	MKT CAP.	470NF 63V J
C582	VE-30000092	MKT CAP.	220NF 63V J
C583	VE-30000204	SMD CAP.	150PF 50V J
C584	VE-30000204	SMD CAP.	150PF 50V J
C585	VE-30000092	MKT CAP.	220NF 63V J
C586	VE-30000092	MKT CAP.	220NF 63V J
C587	VE-30000092	MKT CAP.	220NF 63V J
C590	VE-30000332	SMD CAP.	4.7NF 50V K
C591	VE-30000332	SMD CAP.	4.7NF 50V K
C592	VE-30000092	MKT CAP.	220NF 63V J
C612	VE-30000204	SMD CAP.	150PF 50V J
C614	VE-30000294	SMD CAP.	100NF 50V K
C615	VE-30000284	SMD CAP.	1NF 50V K R
C616	VE-30000294	SMD CAP.	100NF 50V K
C617	VE-30000294	SMD CAP.	100NF 50V K
C618	VE-30000294	SMD CAP.	100NF 50V K
C619	VE-30000294	SMD CAP.	100NF 50V K
C620	VE-30000092	MKT CAP.	220NF 63V J
C623	VE-30000371	EL CAP.	22UF 50V M
C624	VE-30000371	EL CAP.	22UF 50V M
C625	VE-30000371	EL CAP.	22UF 50V M
C626	VE-30000371	EL CAP.	22UF 50V M
C627	VE-30000371	EL CAP.	22UF 50V M
C628	VE-30000371	EL CAP.	22UF 50V M
C629	VE-30000371	EL CAP.	22UF 50V M
C630	VE-30000294	SMD CAP.	100NF 50V K
C631	VE-30000237	SMD CAP.	33PF 50V J
C632	VE-30000237	SMD CAP.	33PF 50V J
C633	VE-30000237	SMD CAP.	33PF 50V J
C634	VE-30000237	SMD CAP.	33PF 50V J
C635	VE-30000232	SMD CAP.	270PF 50V J
C636	VE-30000256	SMD CAP.	470PF 50V J
C637	VE-30000237	SMD CAP.	33PF 50V J
C638	VE-30000289	SMD CAP.	10NF 50V K R
C640	VE-30000332	SMD CAP.	4.7NF 50V K
C641	VE-30000332	SMD CAP.	4.7NF 50V K
C643	VE-30000294	SMD CAP.	100NF 50V K
C644	VE-30000294	SMD CAP.	100NF 50V K

COIL

L501	VE-30001996	FIXED COIL	22UH
L502	VE-30001996	FIXED COIL	22UH
L503	VE-30001996	FIXED COIL	22UH
L504	VE-30001996	FIXED COIL	22UH
L505	VE-30001996	FIXED COIL	22UH
L506	VE-30001996	FIXED COIL	22UH
L507	VE-30001996	FIXED COIL	22UH
L508	VE-30001996	FIXED COIL	22UH
L509	VE-30001996	FIXED COIL	22UH
L510	VE-30001996	FIXED COIL	22UH
L513	VE-30001996	FIXED COIL	22UH
L514	VE-30001996	FIXED COIL	22UH
L515	VE-30001996	FIXED COIL	22UH
L516	VE-30001996	FIXED COIL	22UH
L517	VE-30001996	FIXED COIL	22UH

DIODE

D501	VE-30001369	ZPD ZENER DIODE	3.6V
D502	VE-30001284	DIODE	0.15A/100V 0.5A
D504	VE-30001285	SMD DIODE	
D505	VE-30001285	SMD DIODE	
IC504	VE-30001349	ZENER DIODE	11V

Symbol No.	Part No.	Part Name	Description
TRANSISTOR			
Q501	VE-30001458	SMD TRANSISTOR	
Q502	VE-30001457	SMD TRANSISTOR	
Q503	VE-30001457	SMD TRANSISTOR	
Q504	VE-30001457	SMD TRANSISTOR	
Q505	VE-30001457	SMD TRANSISTOR	
Q506	VE-30001457	SMD TRANSISTOR	
Q507	VE-30001457	SMD TRANSISTOR	
Q508	VE-30001457	SMD TRANSISTOR	
Q509	VE-30001457	SMD TRANSISTOR	
Q510	VE-30001457	SMD TRANSISTOR	
Q511	VE-30001457	SMD TRANSISTOR	
Q512	VE-30001457	SMD TRANSISTOR	
Q513	VE-30001457	SMD TRANSISTOR	
Q514	VE-30001457	SMD TRANSISTOR	
Q515	VE-30001457	SMD TRANSISTOR	

IC

IC501	VE-30013658	I.C.
IC502	VE-30001619	I.C.

OTHERS

L520	VE-30013413	FERRITE BEAD	
L521	VE-30013413	FERRITE BEAD	
L522	VE-30013413	FERRITE BEAD	
L523	VE-30013413	FERRITE BEAD	
L524	VE-30013413	FERRITE BEAD	
L525	VE-30013413	FERRITE BEAD	
L526	VE-30013413	FERRITE BEAD	
L527	VE-30013413	FERRITE BEAD	
L533	VE-30013413	FERRITE BEAD	
L534	VE-30013413	FERRITE BEAD	
L535	VE-30013413	FERRITE BEAD	
L536	VE-30010964	SMD FERRITE	
L537	VE-30010964	SMD FERRITE	
X501	VE-30001756	XTAL	18.432MHZ

FEATURE BOX P.W. BOARD ASS'Y (VE-20055386)

Symbol No.	Part No.	Part Name	Description
RESISTOR			
R001	VE-30000659	SMD R	1/10W 330R J
R002	VE-30000464	SMD R	1/10W 100R J
R003	VE-30000688	SMD R	1/10W 390R J
R004	VE-30006462	SMD R	1/10W 22R J
R005	VE-30000653	SMD R	1/10W 33R J
R006	VE-30000588	SMD R	1/10W 220R J
R007	VE-30000469	SMD R	1/10W 1k J
R008	VE-30000659	SMD R	1/10W 330R J
R009	VE-30000659	SMD R	1/10W 330R J
R010	VE-30000659	SMD R	1/10W 330R J
R011	VE-30000659	SMD R	1/10W 330R J
R012	VE-30000659	SMD R	1/10W 330R J
R013	VE-30000659	SMD R	1/10W 330R J
R014	VE-30000659	SMD R	1/10W 330R J
R015	VE-30000659	SMD R	1/10W 330R J
R016	VE-30000659	SMD R	1/10W 330R J
R017	VE-30000659	SMD R	1/10W 330R J
R018	VE-30000659	SMD R	1/10W 330R J
R021	VE-30000659	SMD R	1/10W 330R J
R024	VE-30000797	SMD R	1/10W 75R J
R026	VE-30000797	SMD R	1/10W 75R J
R028	VE-30000797	SMD R	1/10W 75R J
R030	VE-30000797	SMD R	1/10W 75R J
R031	VE-30000833	SMD R	1/10W 91R J
R032	VE-30000524	SMD R	1/10W 150R J
R033	VE-30000475	SMD R	1/10W 10k J
R034	VE-30000469	SMD R	1/10W 1k J
R047	VE-30000797	SMD R	1/10W 75R J
R048	VE-30006462	SMD R	1/10W 22R J
R050	VE-30000597	SMD R	1/10W 22k J
R053	VE-30000797	SMD R	1/10W 75R J
R054	VE-30000797	SMD R	1/10W 75R J
R055	VE-30000797	SMD R	1/10W 75R J

[AV28BH7ENS , AV28BH7ENB]

△ Symbol No.	Part No.	Part Name	Description
CAPACITOR			
C104	VE-30000284	SMD CAP.	1NF 50V K R
C105	VE-30000294	SMD CAP.	100NF 50V K
C106	VE-30000294	SMD CAP.	100NF 50V K
C107	VE-30000186	SMD CAP.	10PF 50V D COG
C108	VE-30000345	EL CAP.	10UF 50V M
C109	VE-30000294	SMD CAP.	100NF 50V K
C110	VE-30000186	SMD CAP.	10PF 50V D COG
C111	VE-30000186	SMD CAP.	10PF 50V D COG
C112	VE-30000284	SMD CAP.	1NF 50V K R
C113	VE-30000242	SMD CAP.	330PF 50V J
C25	VE-30000109	MKT CAP.	470NF 63V J

COIL

L001	VE-30001992	FIXED COIL	10UH
L002	VE-30001992	FIXED COIL	10UH
L003	VE-30001992	FIXED COIL	10UH
L004	VE-30001986	FIXED COIL	3.3UH
L005	VE-30001986	FIXED COIL	3.3UH
L006	VE-30001996	FIXED COIL	22UH
L007	VE-30001986	FIXED COIL	3.3UH
L008	VE-30001986	FIXED COIL	3.3UH
L009	VE-30001986	FIXED COIL	3.3UH
L010	VE-30001986	FIXED COIL	3.3UH

DIODE

D001	VE-30001284	DIODE	0.15A/100V 0.5A
D002	VE-30001284	DIODE	0.15A/100V 0.5A
D003	VE-30001284	DIODE	0.15A/100V 0.5A

TRANSISTOR

Q001	VE-30001454	TRANSISTOR	
Q002	VE-30001454	TRANSISTOR	
Q003	VE-30001455	TRANSISTOR	
Q004	VE-30001454	TRANSISTOR	
Q005	VE-30001454	TRANSISTOR	
Q006	VE-30001455	TRANSISTOR	
Q007	VE-30001454	TRANSISTOR	
Q008	VE-30001454	TRANSISTOR	
Q009	VE-30001455	TRANSISTOR	
Q010	VE-30001454	TRANSISTOR	
Q011	VE-30001454	TRANSISTOR	
Q012	VE-30001455	TRANSISTOR	
Q013	VE-30001454	TRANSISTOR	
Q014	VE-30001454	TRANSISTOR	
Q015	VE-30001454	TRANSISTOR	

IC

IC001	VE-30010350	I. C.	
IC002	VE-30010348	I. C.	
IC003	VE-30007668	I. C.	
IC004	VE-30007739	I. C.	
IC005	VE-30010349	I. C.	

OTHERS

X001	VE-30008778	XTAL	20.25MHZ
X002	VE-30008782	XTAL	5MHZ
Z1	VE-30001962	FERRITE	
Z10	VE-30001962	FERRITE	
Z14	VE-30001962	FERRITE	
Z18	VE-30001962	FERRITE	
Z24	VE-30001962	FERRITE	
Z25	VE-30001962	FERRITE	
Z26	VE-30001962	FERRITE	
Z37	VE-30001962	FERRITE	
Z38	VE-30001962	FERRITE	

CRT SOCKET P.W. BOARD ASS'Y (VE-20086295)

△ Symbol No.	Part No.	Part Name	Description
RESISTOR			
R901	VE-30000499	SMD R	1/10W 1.2K J
R902	VE-30017132	MF R	1W 51K F
R903	VE-30000499	SMD R	1/10W 1.2K J
R904	VE-30000524	SMD R	1/10W 150R J
R905	VE-30001084	MO R	1W 1K J

△ Symbol No.	Part No.	Part Name	Description
RESISTOR			
R906	VE-30000499	SMD R	1/10W 1.2K J
R907	VE-30017132	MF R	1W 51K F
R908	VE-30000499	SMD R	1/10W 1.2K J
R909	VE-30000524	SMD R	1/10W 150R J
R910	VE-30001084	MO R	1W 1K J
R911	VE-30000499	SMD R	1/10W 1.2K J
R912	VE-30017132	MF R	1W 51K F
R913	VE-30000499	SMD R	1/10W 1.2K J
R914	VE-30000524	SMD R	1/10W 150R J
R915	VE-30001084	MO R	1W 1K J
R916	VE-30001125	MO R	2W 2.2K J
R917	VE-30001170	MO R	1W 4.7K J
R918	VE-30000788	CF R	1/4W 6.8M J
R920	VE-30000535	CF R	1/2W 150K J
R922	VE-30000477	CF R	1/4W 100K J
R923	VE-30000477	CF R	1/4W 100K J
R924	VE-30000477	CF R	1/4W 100K J
R925	VE-30007788	SMD R	1/10W 2.7K F
R926	VE-30000469	SMD R	1/10W 1K J
△ R927	VE-30001249	FUSE R	1W 4.7R J
△ R929	VE-30000466	CF R	1/4W 1K J
R931	VE-30000593	SMD R	1/10W 2.2K J
R932	VE-30000471	CF R	1/4W 10K J
△ R944	VE-30001211	FUSE R	1W 1K J

CAPACITOR

C901	VE-30000202	CER CAP.	15PF 50V J CH
C902	VE-30000294	SMD CAP.	100NF 50V K
C903	VE-30000075	MKT CAP.	250V K (DC)
C904	VE-30000265	SMD CAP.	560PF 50V J
C905	VE-30000209	SMD CAP.	18PF 50V J
C906	VE-30000294	SMD CAP.	100NF 50V K
C907	VE-30000075	MKT CAP.	250V K (DC)
C908	VE-30000265	SMD CAP.	560PF 50V J
C909	VE-30000220	SMD CAP.	33PF 50V J
C910	VE-30000294	SMD CAP.	100NF 50V K
C911	VE-30000075	MKT CAP.	250V K (DC)
C912	VE-30000265	SMD CAP.	560PF 50V J
C914	VE-30000072	MKT CAP.	10NF 1250V J
C915	VE-30000415	EL CAP.	4.7UF 250V M
C916	VE-30000330	CER CAP.	4.7NF 50V K B
C919	VE-30000352	EL CAP.	100UF 16V M
C920	VE-30000294	SMD CAP.	100NF 50V K
C922	VE-30000075	MKT CAP.	250V K (DC)
C923	VE-30000406	EL CAP.	47UF 250V M (HR) 105°
C931	VE-30000265	SMD CAP.	560PF 50V J
C934	VE-30000294	SMD CAP.	100NF 50V K
C935	VE-30000294	SMD CAP.	100NF 50V K
C936	VE-30000075	MKT CAP.	250V K (DC)
C938	VE-30000433	CER CAP.	1NF 1KV M B
C941	VE-30000295	CER CAP.	100NF 50V Z F
C942	VE-30000436	CER CAP.	10NF 1KV ZE
C949	VE-30000294	SMD CAP.	100NF 50V K

COIL

J909	VE-30001992	FIXED COIL	10UH
L904	VE-30001997	FIXED COIL	33UH
L906	VE-30001992	FIXED COIL	10UH
L921	VE-30001994	FIXED COIL	22UH J AXIAL

DIODE

D902	VE-30001318	DIODE	1A/800V 20A
D907	VE-30001284	DIODE	0.15A/100V 0.5A
D908	VE-30001291	DIODE	1A/800V 30A
D909	VE-30001353	ZENER DIODE	18V
SP902	VE-30001347	ZENER DIODE	8.2V

TRANSISTOR

Q901	VE-30001427	TRANSISTOR	
Q902	VE-30001455	TRANSISTOR	

IC

IC901	VE-30001551	I. C.	
IC902	VE-30001551	I. C.	
IC903	VE-30001551	I. C.	

OTHERS

△ J907	VE-30006712	FERRITE BEAD	
PL904	VE-30001855	CRT SOCKET	
SP901	VE-30000428	SPARK GAP	300V
SP903	VE-30000428	SPARK GAP	300V
SP904	VE-30000428	SPARK GAP	300V
SP905	VE-30000428	SPARK GAP	300V
SP906	VE-30000428	SPARK GAP	300V

[AV28BH7ENS , AV28BH7ENB]

FRONT CONTROL P.W. BOARD ASS'Y

(VE-20082481)

Symbol No.	Part No.	Part Name	Description
RESISTOR			
R1	VE-30000689	CF R	1/4W 3.9K J
R2	VE-30000526	CF R	1/4W 1.5K J
R3	VE-30000770	CF R	1/4W 680R J
R4	VE-30000712	CF R	1/4W 470R J
R5	VE-30000622	CF R	1/4W 270R J
DIODE			
D1	VE-30001279	LED(RED/GREEN)	
IC			
IC1	VE-30001670	PREAMPLIFIER	
OTHERS			
SW1	VE-30002181	TACT SWITCH	
SW2	VE-30002181	TACT SWITCH	
SW3	VE-30002181	TACT SWITCH	
SW4	VE-30002181	TACT SWITCH	
SW5	VE-30002181	TACT SWITCH	

FRONT AV + HEADPHONE JACK P.W. BOARD ASS'Y (VE-20083091)

Symbol No.	Part No.	Part Name	Description
RESISTOR			
R107	VE-30000594	CF R	1/4W 22K J
R108	VE-30000712	CF R	1/4W 470R J
R109	VE-30000594	CF R	1/4W 22K J
R110	VE-30000712	CF R	1/4W 470R J
R113	VE-30000744	CF R	1/4W 560R J
R114	VE-30000744	CF R	1/4W 560R J
R115	VE-30000712	CF R	1/4W 470R J
R116	VE-30000712	CF R	1/4W 470R J
CAPACITOR			
C103	VE-30000213	CER CAP.	180PF 50V J CH
C104	VE-30000213	CER CAP.	180PF 50V J CH
C106	VE-30000190	CER CAP.	100PF 50V J CH
COIL			
L103	VE-30001996	FIXED COIL	22UH
L104	VE-30001996	FIXED COIL	22UH
OTHERS			
CON102	VE-30001893	RCA JACK	
CON103	VE-30001891	RCA JACK	
CON104	VE-30001892	RCA JACK	
CON106	VE-30001900	HEADPHONE JACK	HP01/2/3/4/5/6
T103	VE-30001962	FERRITE	
T104	VE-30001963	FERRITE	
T107	VE-30001963	FERRITE	

[AV28BH7EPS , AV28BH7EPB]

△ Symbol No.	Part No.	Part Name	Description
CAPACITOR			
C411	VE-30000109	MKT CAP.	470NF 63V J
C412	VE-30000384	EL CAP.	2.2UF 50V M
C413	VE-30000294	SMD CAP.	100NF 50V K
C414	VE-30000294	SMD CAP.	100NF 50V K
C417	VE-30000294	SMD CAP.	100NF 50V K
C418	VE-30000294	SMD CAP.	100NF 50V K
C419	VE-30000294	SMD CAP.	100NF 50V K
C424	VE-30000387	EL CAP.	33UF 50V M
C427	VE-30000294	SMD CAP.	100NF 50V K
C428	VE-30000294	SMD CAP.	100NF 50V K
C430	VE-30000294	SMD CAP.	100NF 50V K
C440	VE-30000355	EL CAP.	100UF 50V M
C441	VE-30000220	SMD CAP.	22PF 50V J
C442	VE-30000294	SMD CAP.	100NF 50V K
C443	VE-30013411	SMD CAP.	180PF 50V J
C450	VE-30000345	EL CAP.	10UF 50V M
C451	VE-30000294	SMD CAP.	100NF 50V K
C453	VE-30000355	EL CAP.	100UF 50V M
C454	VE-30000294	SMD CAP.	100NF 50V K
C456	VE-30000352	EL CAP.	100UF 16V M
C457	VE-30000294	SMD CAP.	100NF 50V K
C468	VE-30000294	SMD CAP.	100NF 50V K
C478	VE-30000294	SMD CAP.	100NF 50V K
C479	VE-30000362	EL CAP.	1UF 50V M
C491	VE-30000400	EL CAP.	47UF 50V M
C492	VE-30000294	SMD CAP.	100NF 50V K
C494	VE-30000362	EL CAP.	1UF 50V M
C496	VE-30000413	EL CAP.	4.7UF 50V M
C497	VE-30000294	SMD CAP.	100NF 50V K
C498	VE-30000294	SMD CAP.	100NF 50V K
C499	VE-30000362	EL CAP.	1UF 50V M
C500	VE-30000352	EL CAP.	100UF 16V M
C505	VE-30000294	SMD CAP.	100NF 50V K
C506	VE-30000345	EL CAP.	10UF 50V M
C509	VE-30000186	SMD CAP.	10PF 50V D COG
C510	VE-30000186	SMD CAP.	10PF 50V D COG
C511	VE-30000341	SMD CAP.	68NF 50V K
C610	VE-30000074	MKT CAP.	100NF 63V J
C801	VE-30000362	EL CAP.	1UF 50V M
C802	VE-30000362	EL CAP.	1UF 50V M
C804	VE-30000409	EL CAP.	470UF 25V M
C805	VE-30000294	SMD CAP.	100NF 50V K
C806	VE-30000409	EL CAP.	470UF 25V M
C807	VE-30000294	SMD CAP.	100NF 50V K
C808	VE-30000074	MKT CAP.	100NF 63V J
C809	VE-30000074	MKT CAP.	100NF 63V J
C819	VE-30000284	SMD CAP.	1NF 50V K R
C820	VE-30000284	SMD CAP.	1NF 50V K R
C821	VE-30000309	SMD CAP.	2.2NF 50V K R
C823	VE-30000309	SMD CAP.	2.2NF 50V K R
C823	VE-30000345	EL CAP.	10UF 50V M
C900	VE-30000371	EL CAP.	22UF 50V M
C901	VE-30016654	SMD CAP.	100NF 16V K R
C902	VE-30016654	SMD CAP.	100NF 16V K R
C903	VE-30016654	SMD CAP.	100NF 16V K R
C904	VE-30000074	MKT CAP.	100NF 63V J
C905	VE-30000371	EL CAP.	22UF 50V M
C906	VE-30016654	SMD CAP.	100NF 16V K R
C907	VE-30000074	MKT CAP.	100NF 63V J
C908	VE-30016654	SMD CAP.	100NF 16V K R
C909	VE-30016654	SMD CAP.	100NF 16V K R
C910	VE-30016654	SMD CAP.	100NF 16V K R
C911	VE-30000352	EL CAP.	100UF 16V M
C912	VE-30012569	SMD CAP.	33PF 50V J
C913	VE-30012569	SMD CAP.	33PF 50V J
C914	VE-30000371	EL CAP.	22UF 50V M
C915	VE-30016654	SMD CAP.	100NF 16V K R
C916	VE-30016654	SMD CAP.	100NF 16V K R
C917	VE-30016654	SMD CAP.	100NF 16V K R
C918	VE-30016654	SMD CAP.	100NF 16V K R
C919	VE-30000375	EL CAP.	220UF 16V M
C920	VE-30000384	EL CAP.	2.2UF 50V M
C921	VE-30016654	SMD CAP.	100NF 16V K R
C926	VE-30016654	SMD CAP.	100NF 16V K R
C927	VE-30016654	SMD CAP.	100NF 16V K R
C930	VE-30000345	EL CAP.	10UF 50V M
C931	VE-30000243	CER CAP.	330PF 50V J CH
C932	VE-30016654	SMD CAP.	100NF 16V K R
C933	VE-30000294	SMD CAP.	100NF 50V K
C934	VE-30000071	MKT CAP.	10NF 63V J
C935	VE-30000071	MKT CAP.	10NF 63V J

TRANSF

△ TR101	VE-30016819	SMPS TRANSF.
△ TR201	VE-30006943	HORIZONTAL DRIVER TRANSF.
△ TR202	VE-30016922	FB TRANSF.

△ Symbol No.	Part No.	Part Name	Description
COIL			
L102	VE-30007775	PFC COIL	1MH 1KHZ 2A
L201	VE-30007771	FIXED COIL	100UH
L202	VE-30007757	EW INJECTION COIL	6MHZ
L203	VE-30007770	FILTER COIL	1MHZ
L204	VE-30012271	LINEARITY COIL	4.3UH
L205	VE-30007756	BRIDGE COIL	150UH 32KHZ
L304	VE-30001992	FIXED COIL	10UH
L401	VE-30001986	FIXED COIL	3.3UH
L403	VE-30001979	FIXED COIL	1UH
L405	VE-30001987	FIXED COIL	4.7UH
L420	VE-30001996	FIXED COIL	22UH
L421	VE-30001992	FIXED COIL	10UH
L422	VE-30001994	FIXED COIL	22UH J AXIAL
L423	VE-30001994	FIXED COIL	22UH J AXIAL
L426	VE-30001994	FIXED COIL	22UH J AXIAL
L427	VE-30001987	FIXED COIL	4.7UH
L428	VE-30001987	FIXED COIL	4.7UH
L429	VE-30001987	FIXED COIL	4.7UH
L430	VE-30001987	FIXED COIL	4.7UH
L900	VE-30001992	FIXED COIL	10UH
L901	VE-30001992	FIXED COIL	10UH
L902	VE-30001992	FIXED COIL	10UH
L903	VE-30001992	FIXED COIL	10UH
L904	VE-30001987	FIXED COIL	4.7UH
VL401	VE-30002036	VIF ADJ COIL	38.9MHZ

DIODE

D101	VE-30001285	SMD DIODE	
D102	VE-30001291	DIODE	1A/800V 30A
D103	VE-30007768	DIODE	5A/600V 55A
D104	VE-30007768	DIODE	5A/600V 55A
D105	VE-30007768	DIODE	5A/600V 55A
D106	VE-30007758	BRIDGE DIODE	4A/1000V 150A
D108	VE-30001318	DIODE	1A/800V 20A
D109	VE-30009699	ZENER DIODE	15V
D110	VE-30001301	DIODE	2.3A/800V 45-150A
D111	VE-30001299	DIODE	3A/400V 150A
D112	VE-30001302	DIODE	8A/200V 80A
D113	VE-30001302	DIODE	8A/200V 80A
D114	VE-30001302	DIODE	8A/200V 80A
D115	VE-30001285	SMD DIODE	
D116	VE-30007760	SMD ZENER DIODE	
D117	VE-30001285	SMD DIODE	
D118	VE-30007760	SMD ZENER DIODE	
D119	VE-30001284	DIODE	0.15A/100V 0.5A
D120	VE-30001291	DIODE	1A/800V 30A
D121	VE-30001318	DIODE	1A/800V 20A
D122	VE-30001318	DIODE	1A/800V 20A
D123	VE-30001285	SMD DIODE	
D126	VE-30001284	DIODE	0.15A/100V 0.5A
D127	VE-30001284	DIODE	0.15A/100V 0.5A
D128	VE-30001284	DIODE	0.15A/100V 0.5A
D201	VE-30001291	DIODE	1A/800V 30A
D202	VE-30001285	SMD DIODE	
D203	VE-30007760	SMD ZENER DIODE	
D205	VE-30007763	SMD ZENER DIODE	
D206	VE-30007678	DIODE	6A/1500V 100A
D207	VE-30007768	DIODE	5A/600V 55A
D208	VE-30001291	DIODE	1A/800V 30A
D209	VE-30001291	DIODE	1A/800V 30A
D210	VE-30001299	DIODE	3A/400V 150A
D211	VE-30001299	DIODE	3A/400V 150A
D212	VE-30001291	DIODE	1A/800V 30A
D213	VE-30001291	DIODE	1A/800V 30A
D214	VE-30007763	SMD ZENER DIODE	
D215	VE-30007762	SMD ZENER DIODE	
D216	VE-30001285	SMD DIODE	
D218	VE-30001291	DIODE	1A/800V 30A
D219	VE-30001291	DIODE	1A/800V 30A
D220	VE-30001284	DIODE	0.15A/100V 0.5A
D221	VE-30001284	DIODE	0.15A/100V 0.5A
D222	VE-30001284	DIODE	0.15A/100V 0.5A
D223	VE-30001285	SMD DIODE	
D224	VE-30001285	SMD DIODE	
D225	VE-30001318	DIODE	1A/800V 20A
D226	VE-30007760	SMD ZENER DIODE	
D227	VE-30001373	ZPD ZENER DIODE	10V
D401	VE-30001285	SMD DIODE	
D402	VE-30001285	SMD DIODE	
D403	VE-30001285	SMD DIODE	
D900	VE-30012412	SMD ZENER DIODE	2.4V

TRANSISTOR

Q101	VE-30007801	TRANSISTOR
Q103	VE-30007802	TRANSISTOR

[AV28BH7EPS , AV28BH7EPB]

△ Symbol No.	Part No.	Part Name	Description
TRANSISTOR			
Q104	VE-30007798	SMD TRANSISTOR	
Q105	VE-30007798	SMD TRANSISTOR	
Q106	VE-30007802	TRANSISTOR	
Q107	VE-30007798	SMD TRANSISTOR	
Q108	VE-30007798	SMD TRANSISTOR	
Q109	VE-30001457	SMD TRANSISTOR	
Q110	VE-30001457	SMD TRANSISTOR	
Q112	VE-30001454	TRANSISTOR	
Q113	VE-30001428	TRANSISTOR	
Q201	VE-30007802	TRANSISTOR	
△ Q202	VE-30016686	TRANSISTOR	H. OUT
Q203	VE-30001458	SMD TRANSISTOR	
Q204	VE-30001458	SMD TRANSISTOR	
Q205	VE-30007799	TRANSISTOR	
Q206	VE-30001457	SMD TRANSISTOR	
Q207	VE-30001457	SMD TRANSISTOR	
Q208	VE-30001455	TRANSISTOR	
Q401	VE-30001457	SMD TRANSISTOR	
Q403	VE-30001457	SMD TRANSISTOR	
Q405	VE-30001457	SMD TRANSISTOR	
Q406	VE-30001457	SMD TRANSISTOR	
Q408	VE-30007800	TRANSISTOR	
Q415	VE-30001457	SMD TRANSISTOR	
Q801	VE-30001457	SMD TRANSISTOR	
Q802	VE-30001457	SMD TRANSISTOR	
Q900	VE-30001458	SMD TRANSISTOR	
Q901	VE-30001457	SMD TRANSISTOR	
Q902	VE-30001457	SMD TRANSISTOR	
Q903	VE-30001457	SMD TRANSISTOR	
Q904	VE-30001457	SMD TRANSISTOR	
Q905	VE-30001457	SMD TRANSISTOR	
Q906	VE-30001457	SMD TRANSISTOR	
Q907	VE-30001457	SMD TRANSISTOR	
Q908	VE-30001457	SMD TRANSISTOR	
Q909	VE-30001458	SMD TRANSISTOR	
Q910	VE-30001457	SMD TRANSISTOR	
Q911	VE-30001457	SMD TRANSISTOR	

IC			
△ IC101	VE-30007442	I.C.	
IC102	VE-30015087	I.C.	
IC103	VE-30001506	I.C.	
IC104	VE-30007444	I.C.	
IC105	VE-30001500	I.C.	
IC106	VE-30001668	I.C.	
IC201	VE-30007793	I.C.	
IC202	VE-30001506	I.C.	
IC302	VE-20105614	I.C. (MEMORY)	24C32 057J411126112
IC304	VE-20117589	I.C. (MICOM)	41-AK41J G055
IC401	VE-30001494	I.C.	
IC802	VE-30007794	I.C.	
IC900	VE-30013571	I.C.	

OTHERS			
△ F101	VE-30001732	FUSE	3.15A
F102	VE-30009037	FUSE	6.3A
△ F103	VE-30009037	FUSE	6.3A
J411	VE-30001265	NTC MONITOR	
L101	VE-30006712	FERRITE BEAD	
L103	VE-30006744	LINE FILTER	
△ L104	VE-30006744	LINE FILTER	
L106	VE-30006712	FERRITE BEAD	
L107	VE-30001960	FERRITE CORE	
L108	VE-30001960	FERRITE CORE	
L109	VE-30001960	FERRITE CORE	
L206	VE-30006712	FERRITE BEAD	
L207	VE-30006712	FERRITE BEAD	
L425	VE-30001971	SMD FERRITE	
L801	VE-30002170	FERRITE CORE	
L802	VE-30002170	FERRITE CORE	
△ R109	VE-30001270	PTC	9 OHM
RL2	VE-30002183	RELAY	
T401	VE-30001724	SER FILTER	5.5MHZ
TU401	VE-30009637	TUNER	
X900	VE-30006682	XTAL	6MHZ
Z401	VE-30001706	SAW FILTER	
Z403	VE-30001692	SAW FILTER	

MULTI SOUND P.W. BOARD ASS'Y (VE-20085395)

Refer to PARTS LIST in page 8 for this P.W. board.

FEATURE BOX P.W. BOARD ASS'Y (VE-20055386)

Refer to PARTS LIST in page 9 for this P.W. board.

CRT SOCKET P.W. BOARD ASS'Y (VE-20086295)

Refer to PARTS LIST in page 11 for this P.W. board.

FRONT CONTROL P.W. BOARD ASS'Y (VE-20082481)

Refer to PARTS LIST in page 12 for this P.W. board.

FRONT AV + HEADPHONE JACK P.W. BOARD ASS'Y (VE-20083091)

Refer to PARTS LIST in page 12 for this P.W. board.

[AV28BH7EES , AV28BH7EEB]

Symbol No.	Part No.	Part Name	Description	Symbol No.	Part No.	Part Name	Description
CAPACITOR				COIL			
C442	VE-30000294	SMD CAP.	100NF 50V K	L428	VE-30001987	FIXED COIL	4.7UH
C443	VE-30013411	SMD CAP.	180PF 50V J	L429	VE-30001987	FIXED COIL	4.7UH
C450	VE-30000345	EL CAP.	10UF 50V M	L430	VE-30001987	FIXED COIL	4.7UH
C451	VE-30000294	SMD CAP.	100NF 50V K	L900	VE-30001992	FIXED COIL	10UH
C453	VE-30000355	EL CAP.	100UF 50V M	L901	VE-30001992	FIXED COIL	10UH
C454	VE-30000294	SMD CAP.	100NF 50V K	L902	VE-30001992	FIXED COIL	10UH
C455	VE-30000345	EL CAP.	10UF 50V M	L903	VE-30001992	FIXED COIL	10UH
C456	VE-30000352	EL CAP.	100UF 16V M	L904	VE-30001987	FIXED COIL	4.7UH
C457	VE-30000294	SMD CAP.	100NF 50V K	VL401	VE-30002037	VIF ADJ COIL	38.9MHZ
C468	VE-30000294	SMD CAP.	100NF 50V K	DIODE			
C478	VE-30000294	SMD CAP.	100NF 50V K	D101	VE-30001285	SMD DIODE	
C492	VE-30000294	SMD CAP.	100NF 50V K	D102	VE-30001291	DIODE	1A/800V 30A
C497	VE-30000294	SMD CAP.	100NF 50V K	D103	VE-30007768	DIODE	5A/600V 55A
C498	VE-30000294	SMD CAP.	100NF 50V K	D104	VE-30007768	DIODE	5A/600V 55A
C499	VE-30000362	EL CAP.	1UF 50V M	D105	VE-30007768	DIODE	5A/600V 55A
C500	VE-30000352	EL CAP.	100UF 16V M	D106	VE-30007758	BRIDGE DIODE	4A/1000V 150A
C505	VE-30000294	SMD CAP.	100NF 50V K	D108	VE-30001318	DIODE	1A/800V 20A
C506	VE-30000345	EL CAP.	10UF 50V M	D109	VE-30009699	SMD DIODE ZENER	12V
C509	VE-30000186	SMD CAP.	10PF 50V D COG	D110	VE-30001301	DIODE	2.3A/800V
C510	VE-30000186	SMD CAP.	10PF 50V D COG	D111	VE-30001299	DIODE	3A/400V 150A
C511	VE-30000341	SMD CAP.	68NF 50V K	D112	VE-30001302	DIODE	8A/200V 80A
C610	VE-30000074	MKT CAP.	100NF 63V J	D113	VE-30001302	DIODE	8A/200V 80A
C640	VE-30000332	SMD CAP.	4.7NF 50V K	D114	VE-30001302	DIODE	8A/200V 80A
C641	VE-30000332	SMD CAP.	4.7NF 50V K	D115	VE-30001285	SMD DIODE	
C801	VE-30000362	EL CAP.	1UF 50V M	D116	VE-30007760	SMD ZENER DIODE	
C802	VE-30000362	EL CAP.	1UF 50V M	D117	VE-30001285	SMD DIODE	
C804	VE-30000409	EL CAP.	470UF 25V M	D118	VE-30007760	SMD ZENER DIODE	
C805	VE-30000294	SMD CAP.	100NF 50V K	D119	VE-30001284	DIODE	0.15A/100V 0.5A
C806	VE-30000409	EL CAP.	470UF 25V M	D120	VE-30001291	DIODE	1A/800V 30A
C807	VE-30000294	SMD CAP.	100NF 50V K	D121	VE-30001318	DIODE	1A/800V 20A
C808	VE-30000074	MKT CAP.	100NF 63V J	D122	VE-30001318	DIODE	1A/800V 20A
C809	VE-30000074	MKT CAP.	100NF 63V J	D123	VE-30001285	SMD DIODE	
C819	VE-30000284	SMD CAP.	1NF 50V K R	D126	VE-30001284	DIODE	0.15A/100V 0.5A
C820	VE-30000284	SMD CAP.	1NF 50V K R	D127	VE-30001284	DIODE	0.15A/100V 0.5A
C821	VE-30000309	SMD CAP.	2.2NF 50V K R	D128	VE-30001284	DIODE	0.15A/100V 0.5A
C822	VE-30000309	SMD CAP.	2.2NF 50V K R	D201	VE-30001291	DIODE	1A/800V 30A
C823	VE-30000345	EL CAP.	10UF 50V M	D202	VE-30001285	SMD DIODE	
C900	VE-30000371	EL CAP.	22UF 50V M	D203	VE-30007760	SMD ZENER DIODE	
C901	VE-30016654	SMD CAP.	100NF 16V K R	D205	VE-30007763	SMD ZENER DIODE	
C902	VE-30016654	SMD CAP.	100NF 16V K R	D206	VE-30007678	DIODE	6A/1500V 100A
C903	VE-30016654	SMD CAP.	100NF 16V K R	D207	VE-30007768	DIODE	5A/600V 55A
C904	VE-30000074	MKT CAP.	100NF 63V J	D208	VE-30001291	DIODE	1A/800V 30A
C905	VE-30000371	EL CAP.	22UF 50V M	D209	VE-30001291	DIODE	1A/800V 30A
C906	VE-30016654	SMD CAP.	100NF 16V K R	D210	VE-30001299	DIODE	3A/400V 150A
C907	VE-30000074	MKT CAP.	100NF 63V J	D211	VE-30001299	DIODE	3A/400V 150A
C908	VE-30016654	SMD CAP.	100NF 16V K R	D212	VE-30001291	DIODE	1A/800V 30A
C909	VE-30016654	SMD CAP.	100NF 16V K R	D213	VE-30001291	DIODE	1A/800V 30A
C910	VE-30016654	SMD CAP.	100NF 16V K R	D214	VE-30007763	SMD ZENER DIODE	
C911	VE-30000352	EL CAP.	100UF 16V M	D215	VE-30007762	SMD ZENER DIODE	
C912	VE-30012569	SMD CAP.	33PF 50V J	D216	VE-30001285	SMD DIODE	
C913	VE-30012569	SMD CAP.	33PF 50V J	D218	VE-30001291	DIODE	1A/800V 30A
C914	VE-30000371	EL CAP.	22UF 50V M	D219	VE-30001291	DIODE	1A/800V 30A
C915	VE-30016654	SMD CAP.	100NF 16V K R	D220	VE-30001284	DIODE	0.15A/100V 0.5A
C916	VE-30016654	SMD CAP.	100NF 16V K R	D221	VE-30001284	DIODE	0.15A/100V 0.5A
C917	VE-30016654	SMD CAP.	100NF 16V K R	D222	VE-30001284	DIODE	0.15A/100V 0.5A
C918	VE-30016654	SMD CAP.	100NF 16V K R	D223	VE-30001285	SMD DIODE	
C919	VE-30000375	EL CAP.	220UF 16V M	D224	VE-30001285	SMD DIODE	
C920	VE-30000384	EL CAP.	2.2UF 50V M	D225	VE-30001318	DIODE	1A/800V 20A
C921	VE-30016654	SMD CAP.	100NF 16V K R	D226	VE-30007760	SMD ZENER DIODE	
C926	VE-30016654	SMD CAP.	100NF 16V K R	D227	VE-30001373	ZPD ZENER DIODE	10V
C927	VE-30016654	SMD CAP.	100NF 16V K R	D403	VE-30001285	SMD DIODE	
C930	VE-30000345	EL CAP.	10UF 50V M	D900	VE-30012412	SMD ZENER DIODE	2.4V
C931	VE-30000243	CER CAP.	330PF 50V J CH				
C932	VE-30016654	SMD CAP.	100NF 16V K R				
C933	VE-30000294	SMD CAP.	100NF 50V K				
TRANSF				TRANSISTOR			
▲ TR101	VE-30016819	SMPS TRANSF.		Q101	VE-30007801	TRANSISTOR	
▲ TR201	VE-30006743	HORIZONTAL DRIVER TRANSF.		Q103	VE-30007802	TRANSISTOR	
▲ TR202	VE-30016922	FB TRANSF.		Q104	VE-30007798	SMD TRANSISTOR	
				Q105	VE-30007798	SMD TRANSISTOR	
COIL				Q106	VE-30007802	TRANSISTOR	
L102	VE-30007775	PFC COIL	1MH 1KHZ 2A	Q107	VE-30007798	SMD TRANSISTOR	
L201	VE-30007771	FIXED COIL	100UH	Q108	VE-30007798	SMD TRANSISTOR	
L202	VE-30007757	EW INJECTION COIL	6MHZ	Q109	VE-30001457	SMD TRANSISTOR	
L203	VE-30007770	FILTER COIL	1MHZ	Q110	VE-30001457	SMD TRANSISTOR	
L204	VE-30012271	LINEARITY COIL	4.3UH	Q112	VE-30001454	TRANSISTOR	
L205	VE-30007756	BRIDGE COIL	150UH 32KHZ	Q113	VE-30001428	TRANSISTOR	
L304	VE-30001997	FIXED COIL	10UH	Q201	VE-30007802	TRANSISTOR	
L401	VE-30001986	FIXED COIL	3.3UH	▲ Q202	VE-30016686	TRANSISTOR	H. OUT
L403	VE-30001979	FIXED COIL	1UH	Q203	VE-30001458	SMD TRANSISTOR	
L405	VE-30001987	FIXED COIL	4.7UH	Q204	VE-30001458	SMD TRANSISTOR	
L420	VE-30001996	FIXED COIL	22UH	Q205	VE-30007799	TRANSISTOR	
L421	VE-30001992	FIXED COIL	10UH	Q206	VE-30001457	SMD TRANSISTOR	
L422	VE-30001994	FIXED COIL	22UH J AXIAL	Q207	VE-30001457	SMD TRANSISTOR	
L423	VE-30001994	FIXED COIL	22UH J AXIAL	Q208	VE-30001455	TRANSISTOR	
L427	VE-30001987	FIXED COIL	4.7UH	Q403	VE-30001457	SMD TRANSISTOR	
				Q408	VE-30007800	TRANSISTOR	

[AV28BH7EES , AV28BH7EEB]

Symbol No.	Part No.	Part Name	Description
TRANSISTOR			
Q415	VE-30001457	SMD TRANSISTOR	
Q801	VE-30001457	SMD TRANSISTOR	
Q802	VE-30001457	SMD TRANSISTOR	
Q900	VE-30001458	SMD TRANSISTOR	
Q901	VE-30001457	SMD TRANSISTOR	
Q902	VE-30001457	SMD TRANSISTOR	
Q903	VE-30001457	SMD TRANSISTOR	
Q904	VE-30001457	SMD TRANSISTOR	
Q905	VE-30001457	SMD TRANSISTOR	
Q906	VE-30001457	SMD TRANSISTOR	
Q907	VE-30001457	SMD TRANSISTOR	
Q908	VE-30001457	SMD TRANSISTOR	
Q909	VE-30001458	SMD TRANSISTOR	
Q910	VE-30001457	SMD TRANSISTOR	
Q911	VE-30001457	SMD TRANSISTOR	
IC			
IC101	VE-30007442	I.C.	
IC102	VE-30015087	I.C.	
IC103	VE-30001506	I.C.	
IC104	VE-30007444	I.C.	
IC105	VE-30001500	I.C.	
IC106	VE-30001668	I.C.	
IC201	VE-30007793	I.C.	
IC202	VE-30001506	I.C.	
IC302	VE-20105598	I.C. (MEMORY)	24C32 055J311127112
IC304	VE-20117589	I.C. (MTCOM)	PR.IC.41-AK41J G055
IC401	VE-30001495	I.C.	
IC802	VE-30007794	I.C.	
IC900	VE-30013571	I.C.	
OTHERS			
F101	VE-30001732	FUSE	3.15A
F102	VE-30009037	FUSE	6.3A
F103	VE-30009037	FUSE	6.3A
J412	VE-30001265	NTC MONITOR	10R/3A
L101	VE-30006712	FERRITE BEAD	
L103	VE-30006744	LINE FILTER	
L104	VE-30006744	LINE FILTER	
L106	VE-30006712	FERRITE BEAD	
L107	VE-30001960	FERRITE CORE	
L108	VE-30001960	FERRITE CORE	
L109	VE-30001960	FERRITE CORE	
L206	VE-30006712	FERRITE BEAD	
L207	VE-30006712	FERRITE BEAD	
L425	VE-30001971	SMD FERRITE	
L533	VE-30013413	FERRITE BEAD	
L534	VE-30013413	FERRITE BEAD	
L801	VE-30002170	FERRITE CORE	
L802	VE-30002170	FERRITE CORE	
R109	VE-30001270	PTC	9 OHM
RL2	VE-30002183	RELAY	
T401	VE-30001724	SER FILTER	5.5MHZ
T402	VE-30001726	SER FILTER	6.5MHZ
TU401	VE-30009637	TUNER	
X900	VE-30006662	XTAL	6MHZ
Z401	VE-30001706	SAW FILTER	
Z403	VE-30001692	SAW FILTER	

**MULTI SOUND P.W. BOARD ASS'Y
(VE-20085395)**

Refer to PARTS LIST in page 8 for this P.W. board.

FEATURE BOX P.W. BOARD ASS'Y (VE-20055386)

Refer to PARTS LIST in page 9 for this P.W. board.

CRT SOCKET P.W. BOARD ASS'Y (VE-20086295)

Refer to PARTS LIST in page 11 for this P.W. board.

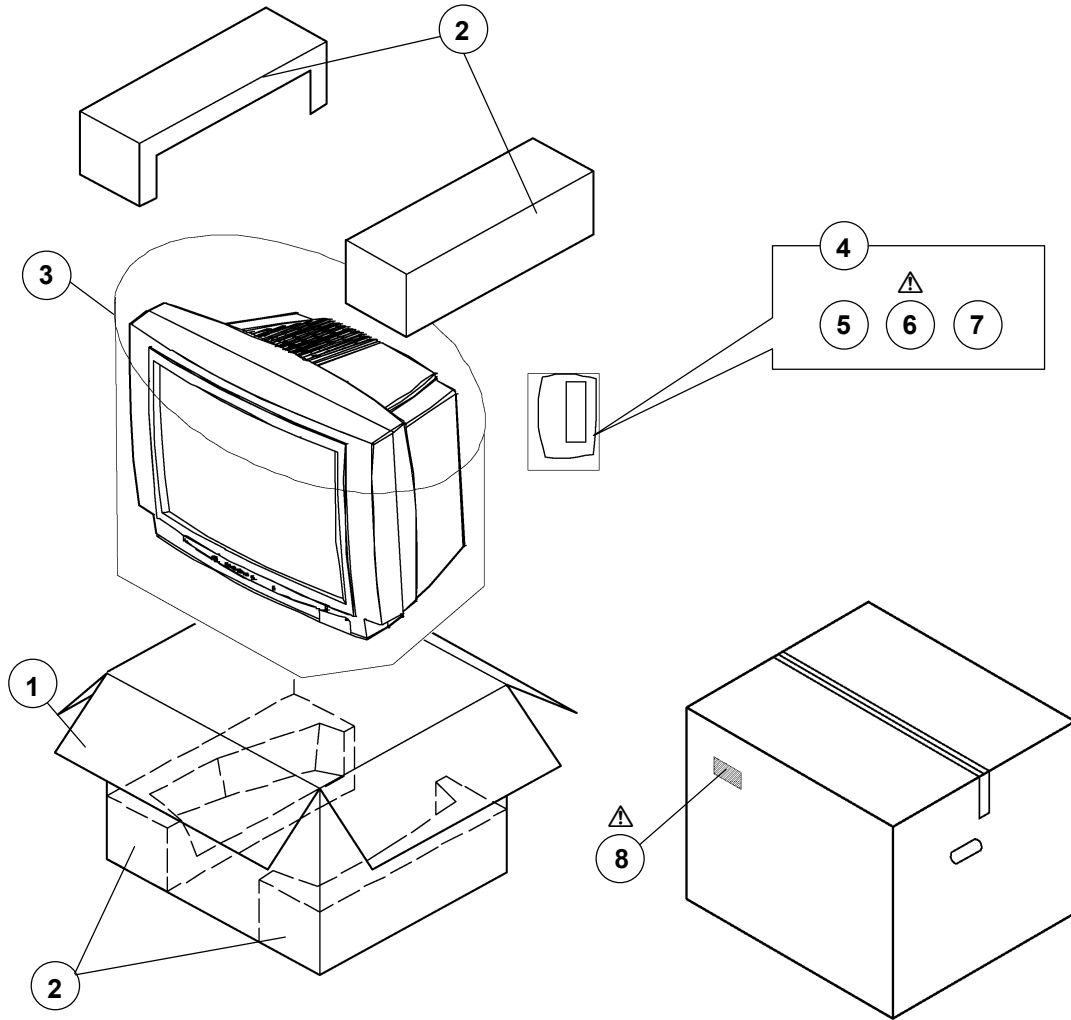
**FRONT CONTROL P.W. BOARD ASS'Y
(VE-20082481)**

Refer to PARTS LIST in page 12 for this P.W. board.

**FRONT AV + HEADPHONE JACK P.W. BOARD
ASS'Y (VE-20083091)**

Refer to PARTS LIST in page 12 for this P.W. board.

PACKING



PACKING PARTS LIST

△ Ref.No.	Part No.	Part Name	Description
1	VE-50023336	CARTON BOX	[AV28BH7ENS]
1	VE-50023328	CARTON BOX	[AV28BH7ENB]
1	VE-50023340	CARTON BOX	[AV28BH7EES]
1	VE-50023334	CARTON BOX	[AV28BH7EEB]
1	VE-50023338	CARTON BOX	[AV28BH7EPS]
1	VE-50023331	CARTON BOX	[AV28BH7EPB]
2	VE-20081396	CUSHION ASS'Y	4 pcs in 1 set
3	VE-50026637	POLY BAG(1250*1000)	
4	VE-70000587	POLY BAG	
5	VE-30015781	REMOTE CONTROL UNIT (RM-C85)	
△ 6	VE-50023325	INST BOOK	[AV28BH7ENS/ENB]
△ 6	VE-50023332	INST BOOK	[AV28BH7EES/EEB]
△ 6	VE-50023329	INST BOOK	[AV28BH7EPS/EPB]
7	BT-54013-2TK	WARRANTY CARD	
△ 8	VE-20086449	LABEL	[AV28BH7ENS]
△ 8	VE-20086440	LABEL	[AV28BH7ENB]
△ 8	VE-20086455	LABEL	[AV28BH7EES]
△ 8	VE-20086446	LABEL	[AV28BH7EEB]
△ 8	VE-20086452	LABEL	[AV28BH7EPS]
△ 8	VE-20086443	LABEL	[AV28BH7EPB]

AV28BH7ENS , AV28BH7ENB
AV28BH7EPS , AV28BH7EPB
AV28BH7EES , AV28BH7EEB

JVC

VICTOR COMPANY OF JAPAN, LIMITED

AV & MULTIMEDIA COMPANY DISPLAY CATEGORY 12, 3-chome, Moriya-cho, kanagawa-ku, Yokohama, kanagawa-prefecture, 221-8528, Japan

No. 51967B



Printed in Japan
200306 WPC